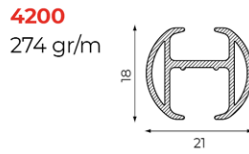


# 4200



## mounting ceiling, wall & blind

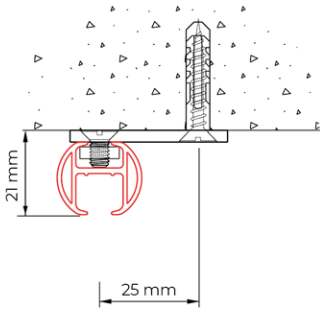
### profile



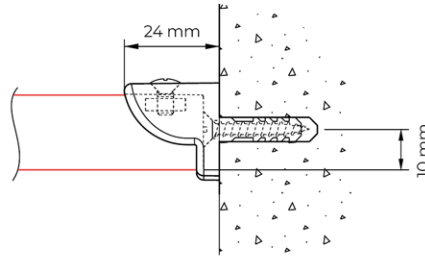
### bending

radius cm  
R 15 (1015)  
R 25 (1015)  
R >100 (1018)

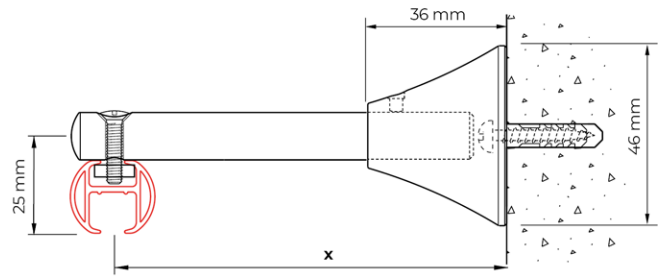
filler position



ceiling mounting 4200  
with ceiling bracket 5135



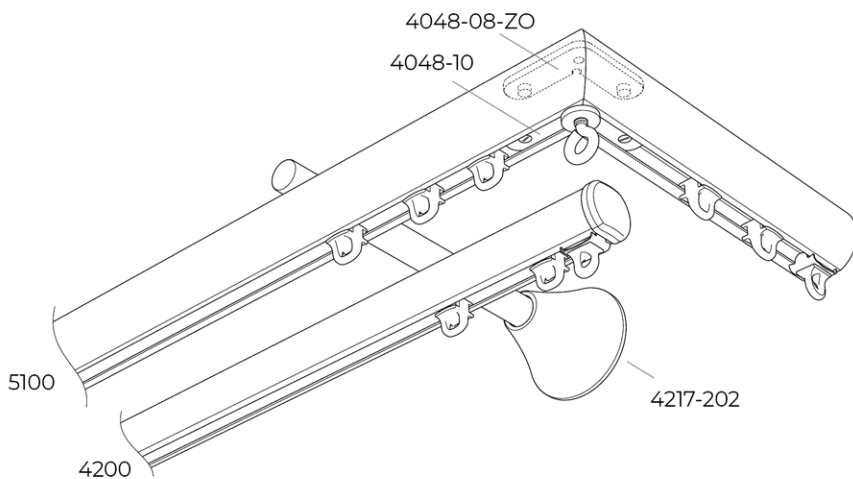
wall mounting 4200  
with wall support 4249



wall mounting with adjustable extension bracket 4217-101,  
bracket can be cut back to x = 50mm

## Combination example

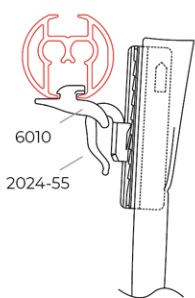
in mm	x	x min
4217-101	100	50
4217-201	200	50
4217-202	200	50



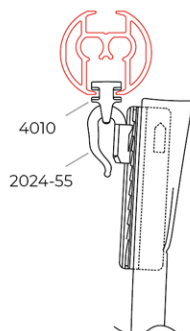
Combination example of the 4200 and 5100 with extension bracket 4217-202. A return has been created with the help of corner connections 4048-10 and 4048-08-ZO.

Instead of the 4200, systems like the 7300 (panel systems) and 7800 (roman blinds) could also be placed.

## Application example



heading with projection  
glider 6010



without heading  
with glider 4010

Thanks to the projection of glider 6010, a heading can be created when using a rounded rail, without the rail tilting the top part of the curtain.

## G-Norm

