

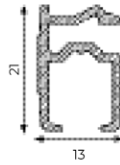
4800



mounting ceiling & wall

profile

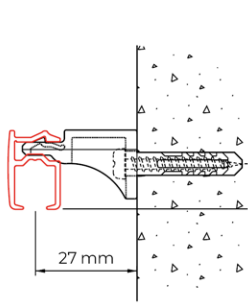
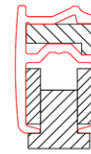
4800
231 gr/m



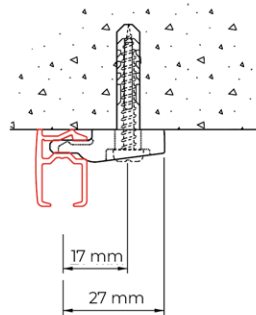
bending

radius cm
R 15 (1015)
R 20 (1015)
R 30 (1015)
R >80 (1018)

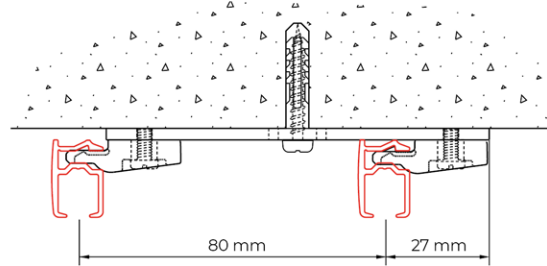
filler position



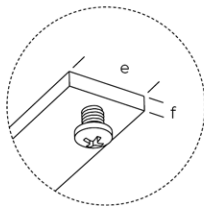
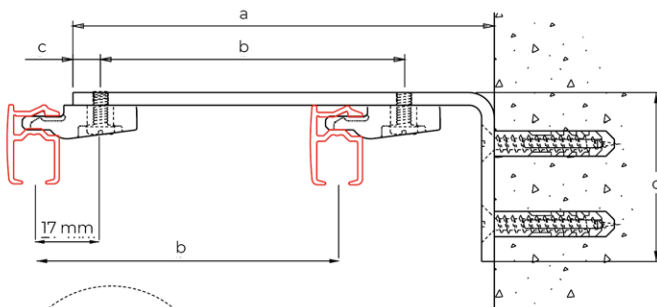
wall mounting with
wall support 5351



ceiling mounting with
ceiling support 5350



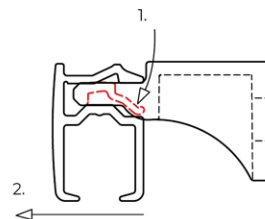
ceiling mounting with
double bracket 2216 and ceiling support 5350



detail front view
of extension bracket

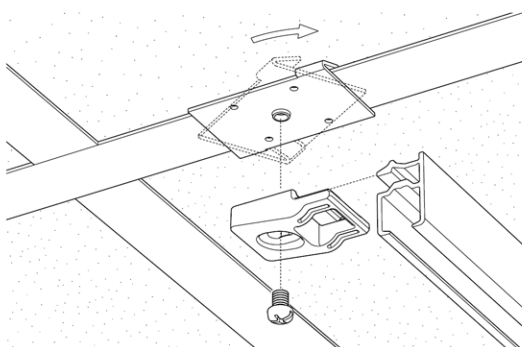
mounting with extension brackets 2015, 2018 or 2019 in
combination

(mm)	a	b	c	d	e	f
2015-05	50	-	6.5	40	16	3
2015-07.5	75	47	6.5	40	16	3
2015-10	100	72	6.5	40	16	3
2015-15	150	72	6.5	40	16	3
2018-15	150	57/57	6.5	60	20	4
2019-20	2000	80	6.5	60	20	4
2019-25	250	80	6.5	60	20	4
2019-30	300	80	6.5	60	20	4



method for uncoupling wall bracket 5351 and rail 4800

Application example



mounting to suspended ceiling by means of grid bracket
2050-SYST and ceiling support 5350

G-Norm

